

ORDERING CODE

PC

VR3V 06 - 5 3 5 - 1 0 - 09 - W07 - A 1 M

Series

Size

- 03 - 3/8"
- 06 - 3/4"

Max. Pressure of Valve Body

- 0 - for cartridges only
- 5 - 5000psi (350 bar)

Body Mounting

- 3 - Subplate mounting - VR4V03/06 /10 ISO
(Y1 port - 1/4" NPTF ; with drain line code 2)
- 7 - Subplate mounting - VR4V03/06 /10 ISO
(Y1 Port - SAE - 4 (7/16" - 20 UNF)
- 9 - Subplate mounting VR4V03/06 /10 ISO
(Y1 Port - 1/4" B.S.P.P ; with drain line code 2)

Pressure setting range

- 1 - 100 - 1500 psi (7 - 105 bar)
 - 3 - 100 - 3000 psi (7 - 210 bar)
 - 5 - 100 - 5000 psi (7 - 350 bar)
- (*For pressure range below 7 bar, please contact Veljan Denison)

Modification

Seal Class

1 = Standard (for special fluids consulting of Veljan is recommended)

Design Letter

Solenoid Voltage and current

- W01 - 115V/60 CY AC GOR - 12V DC
- W02 - 230V/60 CY AC GOQ - 24V DC
- W06 - 115V/50 CY AC GOH - 48V DC
- W07 - 230V/50 CY AC

3-Way Vent Valve VVV01

(Omit for non vent version)

- 09 - With manual override (Solenoid de-energized : open to tank. Solenoid energized : vent line blocked)
- 10 - Without manual override (Solenoid de-energized : open to tank. Solenoid energized : vent line blocked)
- 11 - With manual override (Solenoid de-energized : vent line blocked Solenoid energized : open to tank)
- 12 - Without manual override (Solenoid de-energized : vent line blocked Solenoid energized : open to tank)

Pilot Connection

- 0 - Internal
- 1 - External from subplate
- 2 - External from pilot head (Y1)

Type of Control

- 1 - Hand knob (32mm dia)
- 2 - Hand knob (50mm dia) (not for version with vent valve VVV01)
- 3 - Acorn nut with lead seal

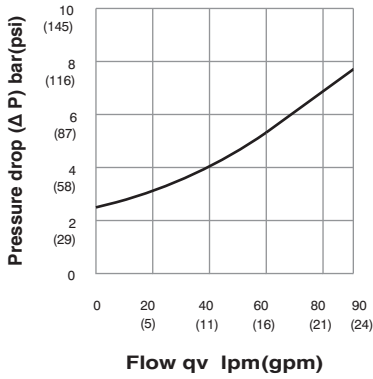
PERFORMANCE CURVES

$\Delta p - q_v$ - Characteristics

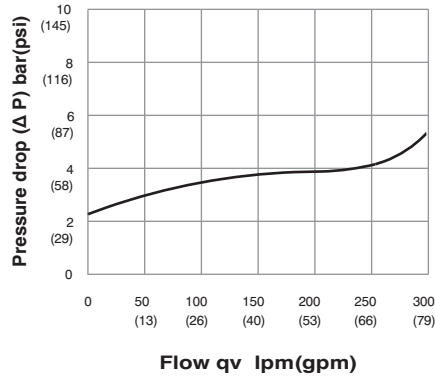
(Fluid 60 cSt at 40°C
Test temp. 50°C ± 10%)

PC

VR3V03

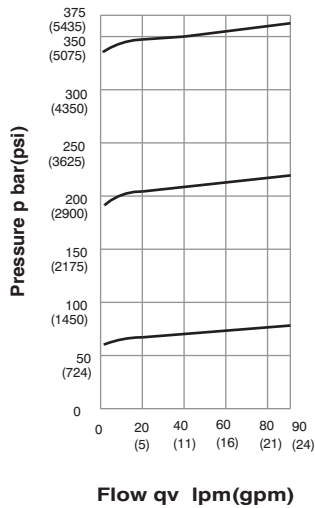


VR3V06

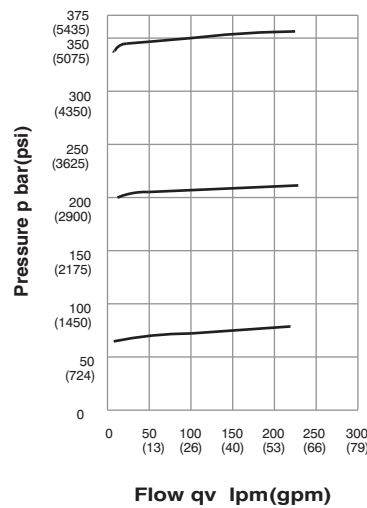


P- q_v - Characteristics

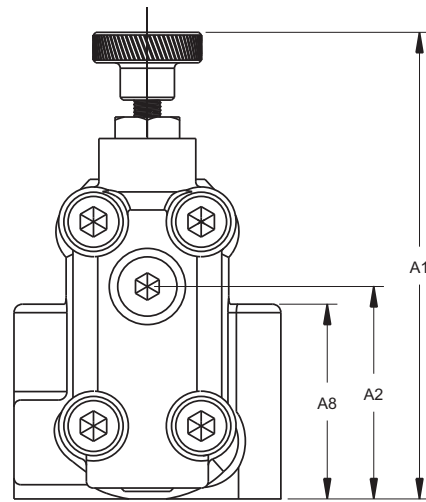
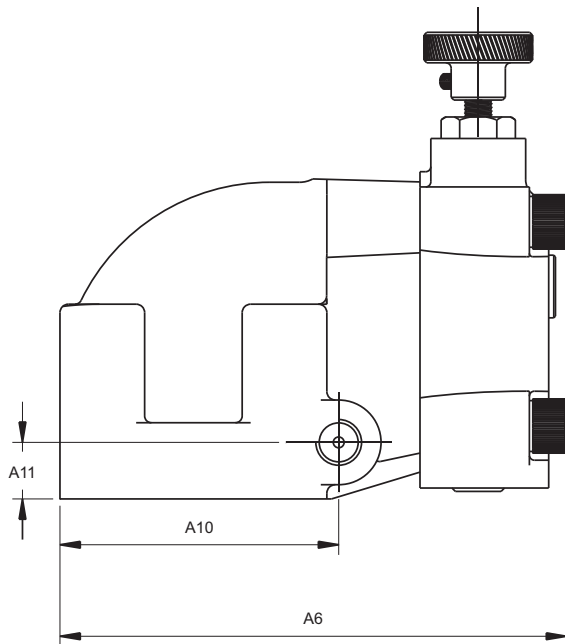
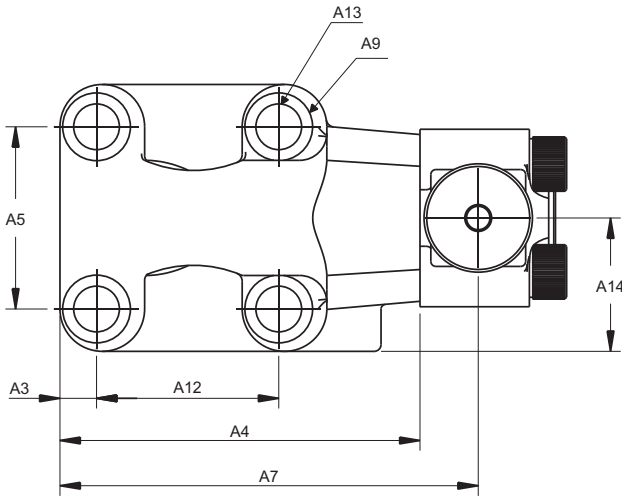
VR3V03



VR3V06

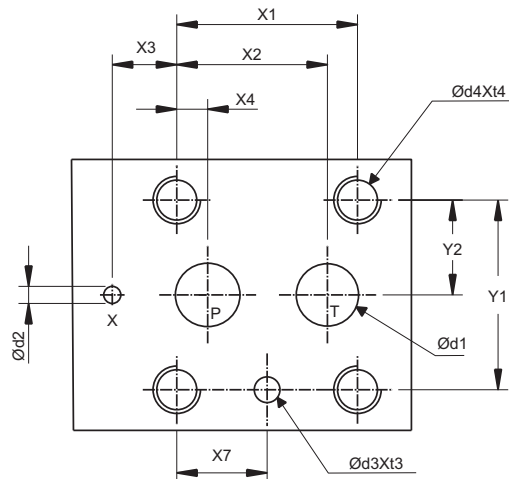


VR3V03 SUBPLATE MOUNTING BODY



	Dimension	
	inch	mm
A1	5.43	137.8
A2	2.47	62.7
A3	0.43	10.8
A4	4.19	106.3
A5	2.12	53.8
A6	5.89	149.6
A7	4.86	123.5
A8	2.28	57.8
A9	Ø0.79	Ø20.0
A10	3.24	82.3
A11	0.66	16.7
A12	2.12	53.8
A13	Ø0.53	Ø13.5
A14	1.06	26.9

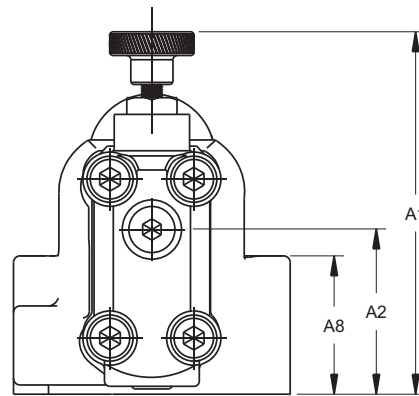
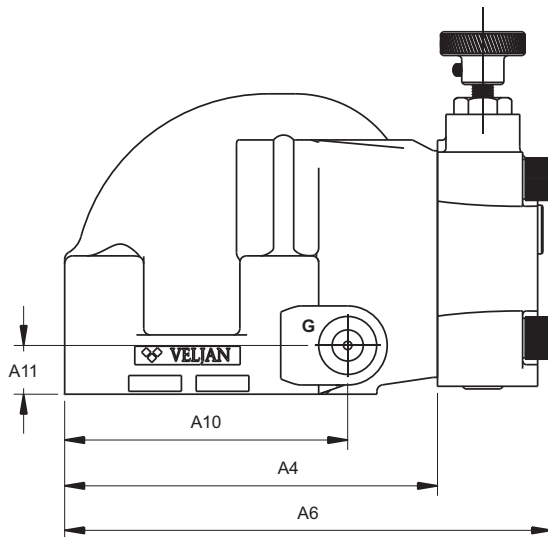
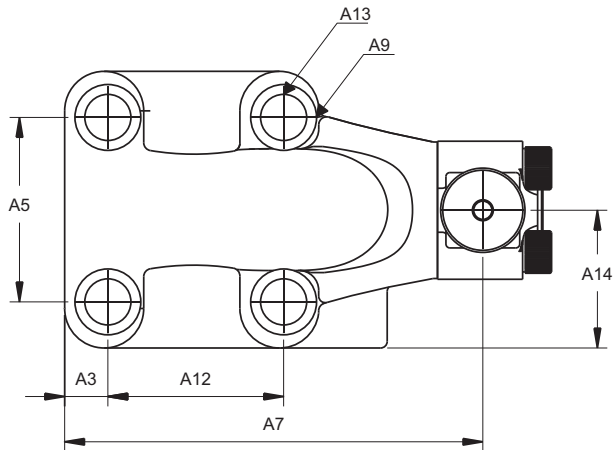
	Dimension	
	inch	mm
X1	2.11	53.8
X2	1.87	47.5
X3	0	0
X4	0.87	22.1
X5	0.87	22.1
Y1	2.11	53.8
Y2	1.05	26.9
Ød1	Ø5.7	Ø14.7
Ød2	Ø0.18	Ø4.8
Ød3	Ø0.29	Ø7.5
Ød4	M12	M12
t3	0.39	10
t4	0.78	20



PC

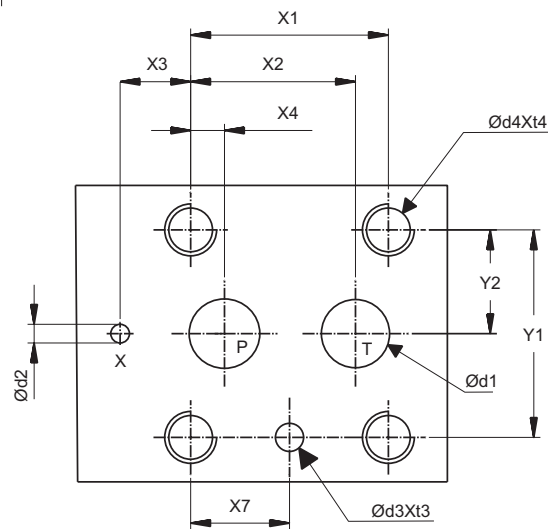
VR3V06 SUBPLATE MOUNTING BODY

PC



	Dimension	
	inch	mm
A1	5.41	137.5
A2	2.46	62.5
A3	0.65	16.4
A4	5.57	141.5
A5	2.76	70
A6	7.28	184.8
A7	6.25	158.7
A8	2.07	52.5
A9	Ø0.98	Ø25.0
A10	4.23	107.4
A11	0.73	18.5
A12	2.63	66.7
A13	Ø0.69	Ø17.5
A14	2.06	52.3

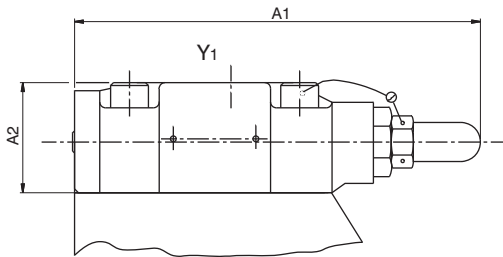
	Dimension	
	inch	mm
X1	2.62	66.7
X2	2.18	55.6
X3	0.93	23.8
X4	0.43	11.1
X5	1.31	33.4
Y1	2.75	70
Y2	1.37	35
Ød1	0.92	Ø23.4
Ød2	0.24	Ø6.3
Ød3	0.29	Ø7.5
Ød4	M16	M16
t3	0.39	10
t4	1.06	27



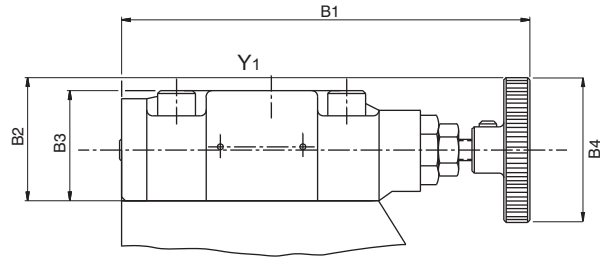
OPTIONAL CONTROL

Type of control - Code 3
Acron nut with lead seal

Type of control - Code 2
Hand knob 50mm dia
(not for version with vent valve VVV01)



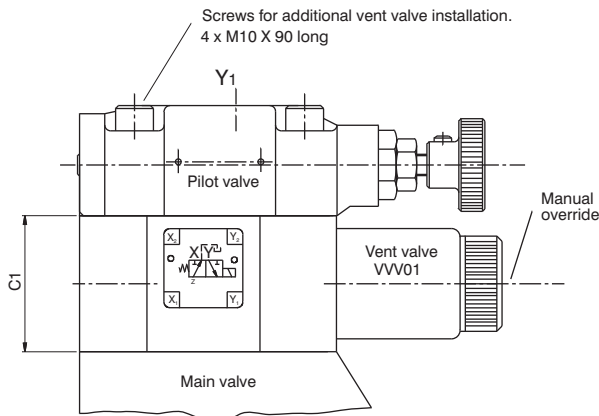
Dimensions		
	in	mm
A1	5.51	140.0
A2	1.49	38.0



Dimensions		
	in	mm
B1	5.55	141.0
B2	1.67	42.5
B3	1.49	38.0
B4	ø 1.96	ø 50.0

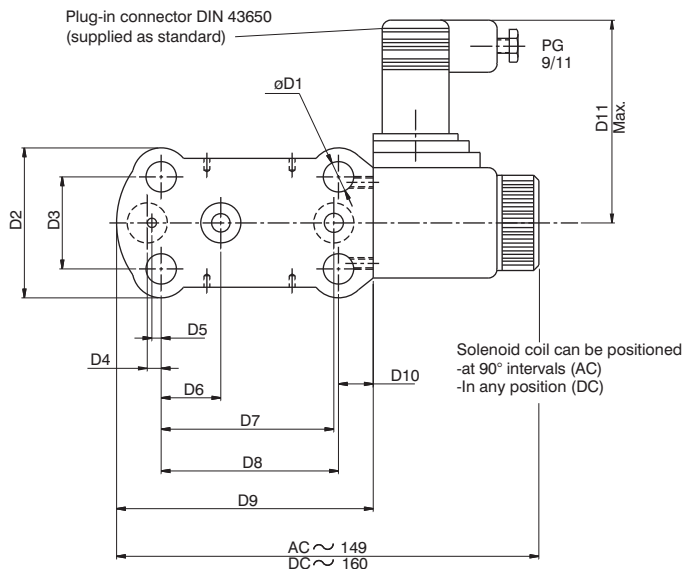
Version with Vent Valve VVV01

Weight (VVV01) : 3.73 lbs (1.7 kg)



Dimensions		
	in	mm
C1	1.85	47.0

Dimensions		
	in	mm
D1	ø 0.41	ø 10.5
D2	2.03	51.8
D3	1.25	31.8
D4	0.18	4.8
D5	0.12	3.2
D6	0.81	20.6
D7	2.31	58.7
D8	2.37	60.3
D9	3.49	88.7
D10	0.51	13.0
D11	2.75	70.0



Code	Internal Drain	External Drain
11 or 12		
09 or 10		