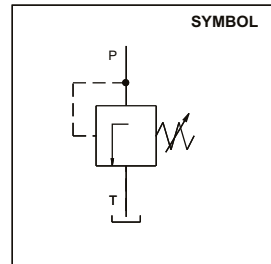


Veljan Series VR1E02 Remote Control Valves are direct operated Pressure Relief Valves. These are usable as remote control valves for all pilot operated pressure control valves e.g Veljan series VR4 & VR5. These may be located upto 3 meters distance from the main valves and are used to control maximum circuit pressure of any degree below the main valve pressure setting.

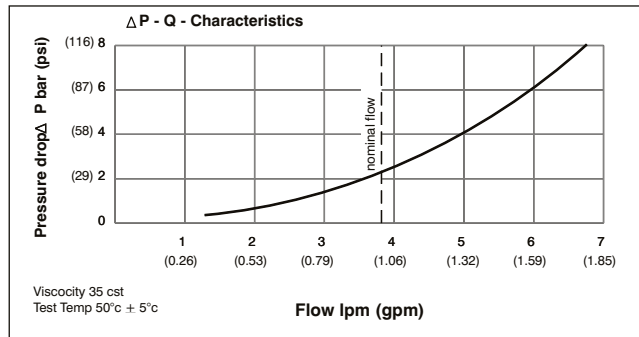
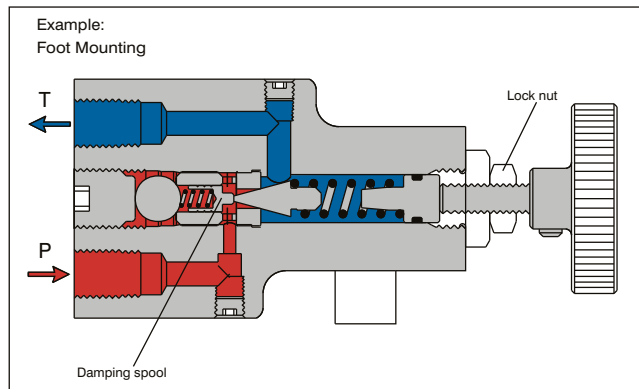
These seat type valves mainly consist of a seat, cone and a pressure spring. The valve is leak-free below the setting pressure. A damping spool maintains a stable function after the setting pressure is reached.



PC

SPECIFICATIONS

- Type : Poppet design
- Mounting : Panel/foot/subplate/cartridge (manifold)
- Direction of flow : P T-
- Operating pressure range at inlet port P : 0 - 5000 psi (0 to 350 bar)
- Pressure setting range : 100 - 5000 psi (7 to 350 bar)
- Nominal flow : 3.8 lpm (1 gpm)
- Fluid : Mineral oil according to DIN 51524/25
- Viscosity range : 10 to 650 cSt (60 to 3900 SSU)
- Optimum viscosity : 30 cSt (180 SSU)
- Ambient temperature range : -20°C...+60°C (-4°F...+140°F)
- Fluid temperature range : -18°C...+80°C (-0°F...+176°F)
- Contamination level : Max. Permissible according to NAS 1638 class 8 (class 9 for 15 micron and smaller) or ISO 17/14



ORDERING CODE

VR1E02 - 3 3 1 1 - A - 1 - ***

Series _____

Body mounting* _____

0 - Cartridge, 1 - Foot Mounting, 2 - Panel Mounting, 3* - Subplate Mounting

Pressure setting range _____

1 - 100-1500 psi (7 to 105 bar), 3 - 100-3000 psi (7 to 210 bar), 5 - 100-5000 psi (7 to 350 bar)

Connections _____

0 - None (for cartridge), 1 - 1/4" NPTF, 2 - G 1/4", 3 - 7/16"-20 UNF

Type of control _____

1 - Hand knob (32mm dia), 2* - Hand knob (50mm dia), 3 - Acorn nut with lead seal,

Design letter _____

Seal class _____

1- Buna N - (Standard), 5 - Viton,

Modification _____

Order subplate and mounting screws separately (see page 6).

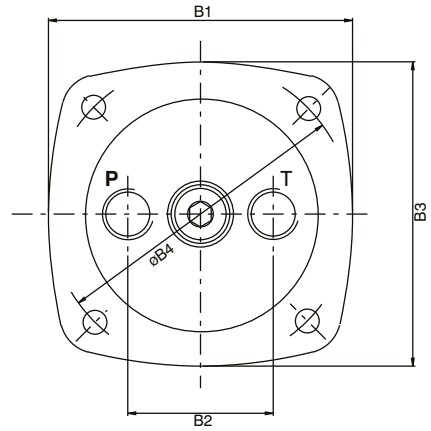
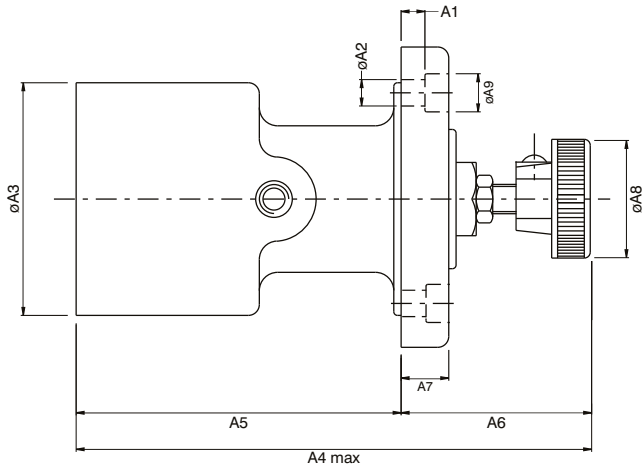
* While using control type 2 with subplate mounting body, use additional adapter plate (order no VS16-64188) with 4 nos valve mounting screws M10 x 55, DIN 912 -12.9 (order no V700-71447-8).

INSTALLATION

Panel Mounting - VR1E02 (# 2)

Weight : 4.61 lbs (2.1 kg)

PC



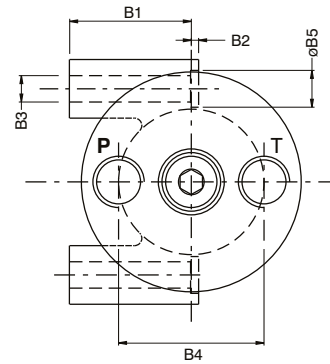
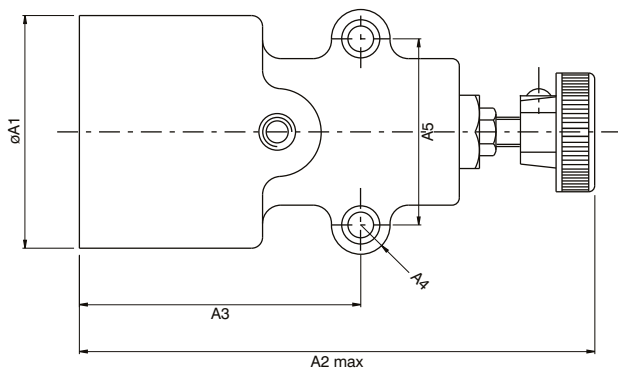
Ports P and T : 1/4" NPTF or G1/4"

Dimensions		
	in	mm
A1	0.26	6.5
A2	ø 0.28	ø 7.2
A3	ø 2.50	ø 63.5
A4	5.54	140.7
A5	3.50	88.7
A6	2.05	52.0
A7	0.51	13.0
A8	ø 1.26	ø 32.0
A9	ø 0.41	ø 10.4

Dimensions		
	in	mm
B1	3.26	83.0
B2	1.56	39.7
B3	3.26	83.1
B4	ø 3.25	ø 82.5

Foot Mounting - VR1E02 (# 1)

Weight : 4.61 lbs (2.1 kg)



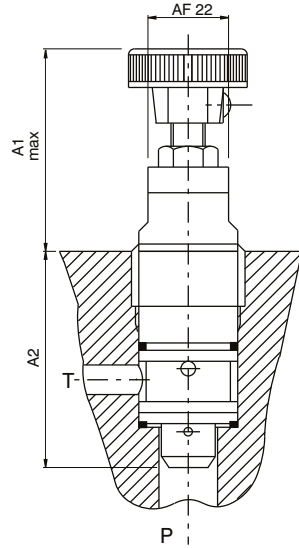
Ports P and T : 1/4" NPTF or G 1/4"

Dimensions		
	in	mm
A1	ø 2.5	ø 63.5
A2	5.54	140.7
A3	3.02	76.8
A4	0.315 r	8.0 r
A5	2.0	50.8

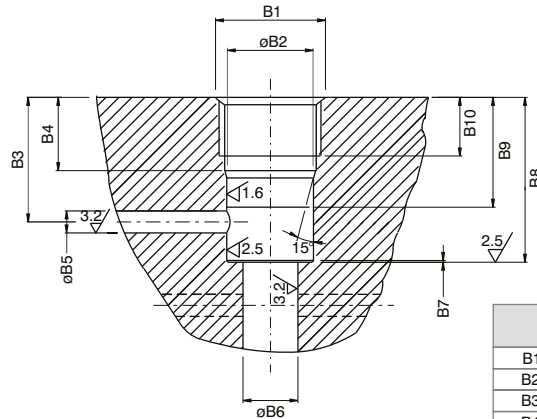
Dimensions		
	in	mm
B1	1.3	33.0
B2	0.086	2.2
B3	ø 0.28	ø 7.2
B4	1.56	39.7
B5		ø 10.4

CARTRIDGE VR1E02 (# 0)

Weight : 0.65 lbs (0.3 kg)



Dimensions		
	in	mm
A1	2.16	55.0
A2	2.32	59.0

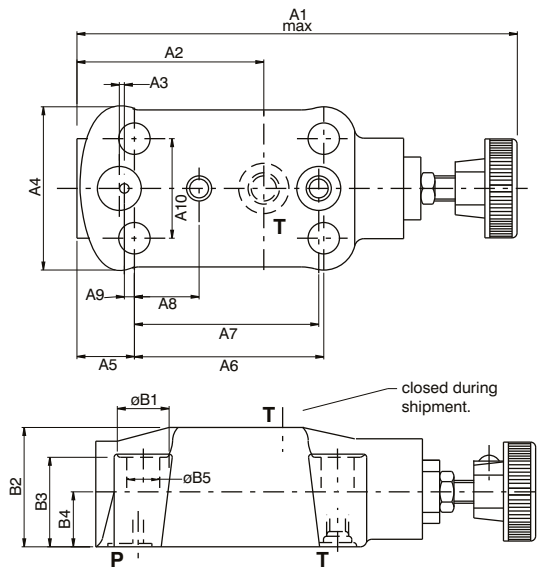


Dimensions		
	in	mm
B1		M28x1.5
B2	ø0.99 ^{HB}	ø25.0 ^{HB}
B3	1.34	34.0
B4	0.8	20.0
B5	ø0.236	ø 6.0
B6	ø0.59	ø 15.0
B7	0.02x45° or 0.02 r	0.5x45° or 0.5 r
B8	1.77	45.0
B9	1.18	30.0
B10	0.63	16.0

PC

SUBPLATE MOUNTING VR1E02 (# 3)

Weight : 2.2 lbs (1.0 kg)



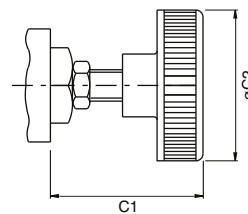
Dimensions		
	in	mm
A1	5.55	141.0
A2	2.34	59.5
A3	0.063	1.6
A4	2.04	52.0
A5	0.72	18.3
A6	2.37	60.3
A7	2.31	58.7
A8	0.81	20.6
A9	0.126	3.2
A10	1.25	31.7

Dimensions		
	in	mm
B1	ø 0.65	ø 16.5
B2	1.59	38.0
B3	1.12	28.5
B4	0.69	17.5
B5	ø 0.41	ø 10.5

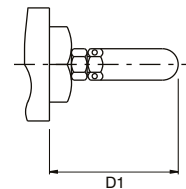
Dimensions		
	in	mm
C1	1.65	42.0
C2	ø 1.97	ø 50.0

Dimensions		
	in	mm
D1	1.61	41.0

Optional adjusting devices



Hand knob
50 mm dia

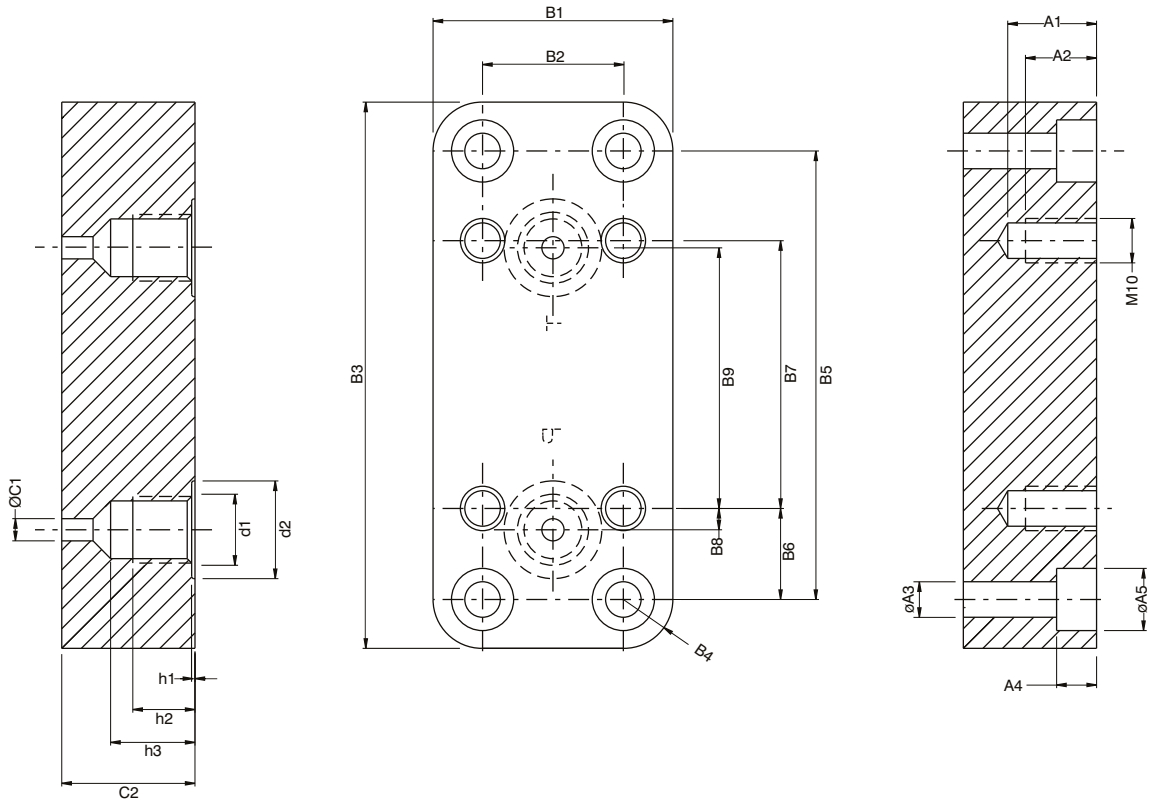


Acorn nut
with lead seat

SUBPLATE

Weight : 3.08 lbs (1.4 kg)

PC



	Dimensions	
	in	mm
A1	0.80	20.0
A2	0.63	16.0
A3	ϕ 0.35	ϕ 9.0
A4	0.35	9.0
A5	ϕ 0.55	ϕ 14.0

	Dimensions	
	in	mm
B1	2.126	54.0
B2	1.25	31.7
B3	4.84	123.0
B4	r 0.433	r 11.0
B5	3.98	101.0
B6	0.81	20.5
B7	2.37	60.3
B8	0.19	4.8
B9	2.31	58.7

	Dimensions	
	in	mm
C1	ϕ 0.2	ϕ 5.0
C2	1.18	30.0

Model no.	Order no.	Port d1	Dimensions					4 Mounting screws*	
			h1	h2	h3	d2	Dimension	Order no.	
VSS - B - 04 - 04	VS16 - 33062 - 0	G 1/4"	mm	0.5	14.0	19.0	24.0	M10 x 40 lg.	V700 - 71595 - 8
			in	0.02	0.55	0.75	0.95		
VSS - B - 06 - 04	VS16 - 33064 - 0	G 3/8"	mm	0.5	14.0	19.0	24.0	DIN 912 : 12.9	
			in	0.02	0.55	0.75	0.95		
VSS - P - 04 - 04	VS16 - 33061 - 0	1/4" NPTF	mm	-	17.5	24.0	14.3	3/8" - 16UNC	V358 - 16200
			in	-	0.688	0.945	0.563		
VSS - P - 06 - 04	VS16 - 33063 - 0	3/8" NPTF	mm	-	17.5	24.0	14.3	1 1/2" lg.	
			in	-	0.688	0.945	0.563		

* Mounting screws are included in subplate order.
For valves ordered without subplate, mounting screws must be ordered separately.